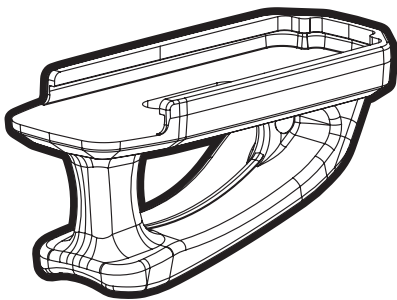


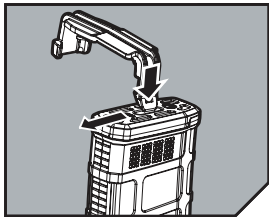


PMAG[®] GEN M3 Ranger Plate[™]



- ⚠ WARNING: BEFORE STARTING, MAKE SURE THE WEAPON IS UNLOADED, THE CHAMBER IS EMPTY, AND THE SAFETY ENGAGED.**
- ⚠ CAUTION: PLEASE READ ALL INSTRUCTIONS BEFORE PROCEEDING. COMPONENTS UNDER SPRING PRESSURE MAY EJECT FORCEFULLY AND COULD CAUSE INJURY.**
- ⚠ WARNING: OBSERVE SAFE FIREARM HANDLING PRACTICES AT ALL TIMES. FAILURE TO DO SO MAY RESULT IN SERIOUS BODILY INJURY OR DEATH. MAGPUL INDUSTRIES SHALL NOT BE RESPONSIBLE FOR INJURY, DEATH OR PROPERTY DAMAGE RESULTING FROM FAULTY INSTALLATION, MISUSE, ILLEGAL USE, OR MODIFICATION OF THIS PRODUCT.**

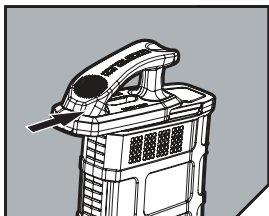
PMAG RANGER PLATE INSTALL/REMOVAL



STEP 1: FLOORPLATE REMOVAL

Using a *Impact/Dust Cover tail* or *bullet tip*, depress *Lock Plate Button* and slide *Floorplate* rearward and off *PMAG magazine body*.

Note: *Lock plate is under pressure, and must be depressed far enough in to unlock floorplate.*

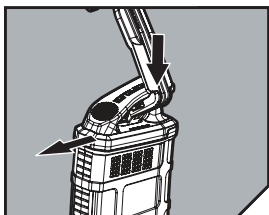


STEP 2: RANGER INSTALLATION

Compress *Lock Plate* and *spring* inside *PMAG body*. Starting from the rear of the *magazine body*, slide *Ranger* onto the *PMAG* until *Lock Plate button* "clicks" into place.

Warning: *Failure to fully lock Ranger Plate in place may cause serious weapon failure.*

Attention: *Check magazine function via live fire test prior to tactical deployment.*



RANGER REMOVAL

Using a *Impact/Dust Cover tail* or *bullet tip*, depress the *Lock Plate Button* and slide *Ranger* rearward and off *magazine body*.

Note: *Lock plate is under pressure, and must be depressed far enough down to unlock Ranger.*